



## Installation Guide

Quality, Design and Innovation



[home.liebherr.com/fridge-manuals](http://home.liebherr.com/fridge-manuals)



# LIEBHERR

# General safety instructions

## Contents

<b>1</b>	<b>General safety instructions.....</b>	<b>2</b>
<b>2</b>	<b>Installation conditions.....</b>	<b>3</b>
2.1	Location.....	3
2.2	Mains connection.....	3
<b>3</b>	<b>Appliance dimensions.....</b>	<b>3</b>
<b>4</b>	<b>Recess dimensions.....</b>	<b>4</b>
<b>5</b>	<b>Unit front.....</b>	<b>4</b>
5.1	Unit front weight.....	4
5.2	Unit door.....	4
5.3	Unit front dimensions.....	4
5.4	Decorative door panel unit front dimensions.....	4
5.5	Adjusting the gap dimension without collisions....	5
<b>6</b>	<b>Transporting appliance.....</b>	<b>5</b>
<b>7</b>	<b>Unpacking the appliance.....</b>	<b>5</b>
<b>8</b>	<b>Disposing of packaging.....</b>	<b>5</b>
<b>9</b>	<b>Recessed installation.....</b>	<b>6</b>
9.1	Tool.....	6
9.2	Preparing the appliance.....	6
9.3	Ceiling mounting.....	6
9.4	Lateral fastening.....	6
9.5	Alignment of the appliance.....	6
9.6	Fitting the base.....	7
9.7	Screwing the appliance into the niche.....	7
<b>10</b>	<b>Fitting the unit door.....</b>	<b>7</b>
<b>11</b>	<b>Connecting device.....</b>	<b>9</b>

The manufacturer is continually working on the further development of all types and models. Please be aware that we reserve the right to make changes to the shape, equipment and technology.



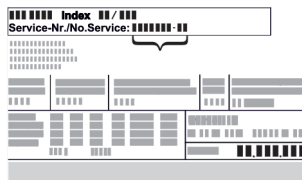




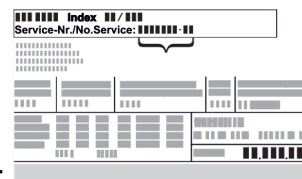
Symbol	Explanation
	<b>Read instructions</b> Please read the information in these instructions carefully to understand all of the benefits of your new appliance.
	<b>Additional information on the Internet</b> The digital manual with additional information and in other languages can be found via the QR code on the front of the manual or by entering the service number at <a href="http://home.liebherr.com/fridge-manuals">home.liebherr.com/fridge-manuals</a> . The service number can be found on the serial tag: 
	<b>Check appliance</b> Check all parts for transport damage. If you have any complaints, please contact your agent or customer service.

Fig. Example illustration

Symbol	Explanation
	<b>Differences</b> These instructions apply to a range of models, so differences are possible. Sections that apply to certain models only are marked with an asterisk (*).
	<b>Instructions and results</b> Instructions are marked with a ▶. Results are marked with a ▷.
	<b>Videos</b> Videos about the appliances are available on the YouTube channels of Liebherr-Hausgeräte.



## 1 General safety instructions


- Please keep this assembly manual in a safe place so you can refer back to it at any time.
- If you pass the appliance on, please hand this assembly manual to the next user.
- Read this assembly manual carefully before installation and use to ensure safe and correct use of the appliance. Follow the instructions, safety instructions and warning messages included at all times. They are important for ensuring you can operate and install the appliance safely and without any problems.
- First read the general safety instructions in the “General safety instructions” section of the **operating instructions**, which accompany these installation instructions, and follow them. If you cannot find the **operating instructions**, you can download the **operating instructions** from the internet by entering the service number at [home.liebherr.com/fridge-manuals](http://home.liebherr.com/fridge-manuals). The service number can be found on the serial



tag:

- **Observe the warning messages and other detailed information in the other sections when installing the appliance:**

	DANGER	identifies a situation involving direct danger which, if not obviated, may result in death or severe bodily injury.
	WARNING	identifies a dangerous situation which, if not obviated, may result in death or severe bodily injury.

	CAUTION	identifies a dangerous situation which, if not obviated, may result in minor or medium bodily injury.
	NOTICE	identifies a dangerous situation which, if not obviated, may result in damage to property.
	Note	identifies useful instructions and tips.

## 2 Installation conditions



### WARNING

Fire hazard due to dampness!

If live parts or the mains lead become damp this may cause short circuits.

- ▶ The appliance is designed for use in enclosed areas. Do not operate the appliance outdoors or in areas where it is exposed to splash water or damp conditions.

Intended use

- Install and use the appliance in indoor spaces only.

### 2.1 Location



### WARNING

Leaking coolant and oil!

Fire. The coolant contained in the appliance is eco-friendly, but also flammable. The oil contained in the appliance is flammable. Escaping coolant and oil can ignite if the concentration is high enough and in contact with an external heat source.

- ▶ Do not damage the pipelines of the coolant circuit and the compressor.

- If the appliance is installed in a very humid environment, condensation can build up on the outside of the unit. Always ensure good airflow and ventilation in the installation location.
- The more refrigerant there is in the appliance, the larger the space that it is installed in must be. If the space is too small, any leak may create a flammable mixture of gas and air. For every 8 g of refrigerant, the installation space must be at least 1 m<sup>3</sup>. Information regarding the coolant can be found on the serial tag inside the appliance.

#### 2.1.1 Supporting floor

- The floor of the installation site must be horizontal and even.

#### 2.1.2 Positioning

- Do not install the appliance in direct sunlight or near radiators or similar sources of heat.
- You can install the appliance directly next to an oven.
- If the appliance is installed directly next to an oven, the energy consumption may increase slightly. This is dependent on the service life and usage intensity of the oven.

## 2.2 Mains connection



### WARNING

Danger of fire due to incorrect positioning!

If the mains cable or plug touches the back of the appliance, the vibration can damage the mains cable or the plug resulting in a short circuit.

- ▶ Make sure the mains cable is not trapped under the appliance when you position the appliance.
- ▶ Stand the appliance so that it is not touched by connectors or main cables.
- ▶ Do not connect any appliances to sockets in the area of the back of the appliance.
- ▶ Do **not** place and operate multi-sockets/power distributors and other electronic devices (such as halogen transformers) at the back of the appliances.

## 3 Appliance dimensions

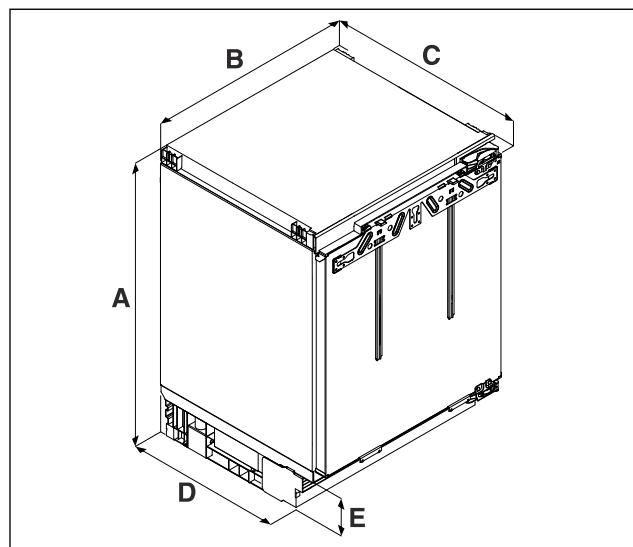


Fig. 1 Example illustration

<b>A</b>	.... <b>36..:</b> 820 mm to 880 mm .... <b>37..:</b> 860 mm to 920 mm
<b>B</b>	597 mm
<b>C</b>	550 mm
<b>D</b>	459 mm
<b>E</b>	104 mm to 164 mm

**A** = Appliance height including feet

**B** = Appliance width

**C** = Appliance depth

# Recess dimensions

## 4 Recess dimensions

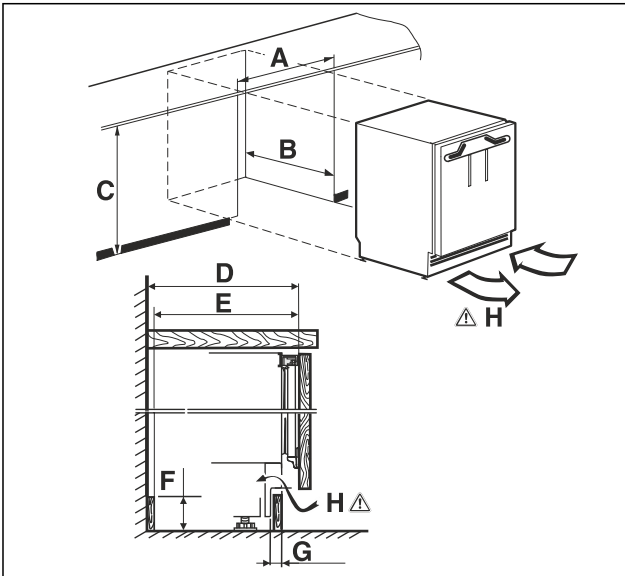


Fig. 2 Example illustration

<b>A</b>	600 mm
<b>B</b>	min. 560 mm
<b>C</b>	.... 36...: 820 mm to 880 mm .... 37...: 860 mm to 920 mm
<b>D</b>	550 mm
<b>E</b>	540 mm
<b>F</b>	140 mm
<b>G</b>	22 mm to 77 mm
<b>H</b>	200 cm <sup>2</sup>

A = Niche width  
 B = Niche depth  
 C = Niche height  
 H = Ventilation cross-section

## 5 Unit front

### 5.1 Unit front weight

#### NOTICE

A heavy unit door may pose a risk of damage! If the unit door is too heavy, damage to the hinges cannot be ruled out, which may compromise functionality.  
 ► Before fitting the unit door, ensure that the unit door does not exceed the permissible weight.

Niche height	Maximum weight of the unit door
.... 36... <sup>A)</sup>	10 kg
.... 37... <sup>B)</sup>	10 kg

A) 820 mm to 880 mm

B) 860 mm to 920 mm

### 5.2 Unit door

- A door is required for the kitchen unit.
- The door must be at least 16 mm and no more than 19 mm thick.
- There must be a gap of at least 3 mm width between the door and the cupboard door above (if present).
- The width of the unit door depends on the style of the kitchen and the size of the gap between the door panels of the cabinet. In general, a vertical gap of 3 mm should be left between the unit doors.
- If there are other cupboards, the top edge of the unit door should be at the same height as the doors of the neighbouring unit.
- The unit door must be flat and mounted without tension.

#### NOTICE

A heavy unit door may pose a risk of damage! If the unit door is too heavy, damage to the hinges cannot be ruled out, which may compromise functionality.  
 ► Before fitting the unit door, ensure that the unit door does not exceed the permissible weight.

### 5.3 Unit front dimensions

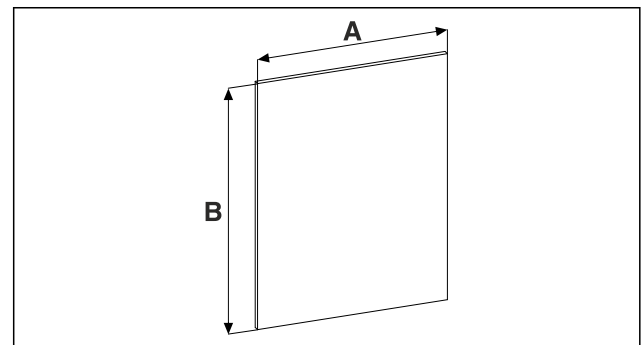


Fig. 3

Niche height	.... 36... <sup>A)</sup>	.... 37... <sup>B)</sup>
<b>A</b>	595 mm	
<b>B</b>	717 mm	776 mm

A) 820 mm to 880 mm

B) 860 mm to 920 mm

### 5.4 Decorative door panel unit front dimensions

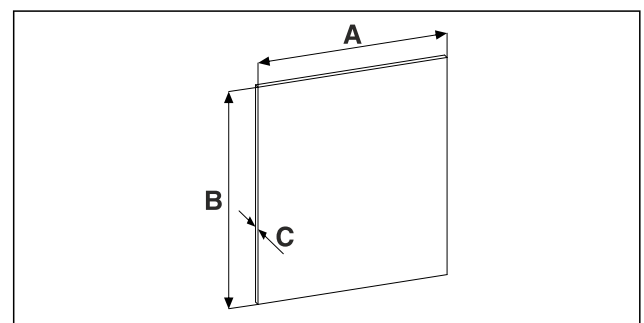


Fig. 4

Niche height	.... 36... <sup>A)</sup>
<b>A</b>	585 mm

Niche height	.... 36... <sup>A)</sup>
B	678 mm
C	maximum 4 mm

A) 820 mm to 880 mm

## 5.5 Adjusting the gap dimension without collisions

After you have installed the unit front(s), you must check to ensure that the unit fronts do not collide.

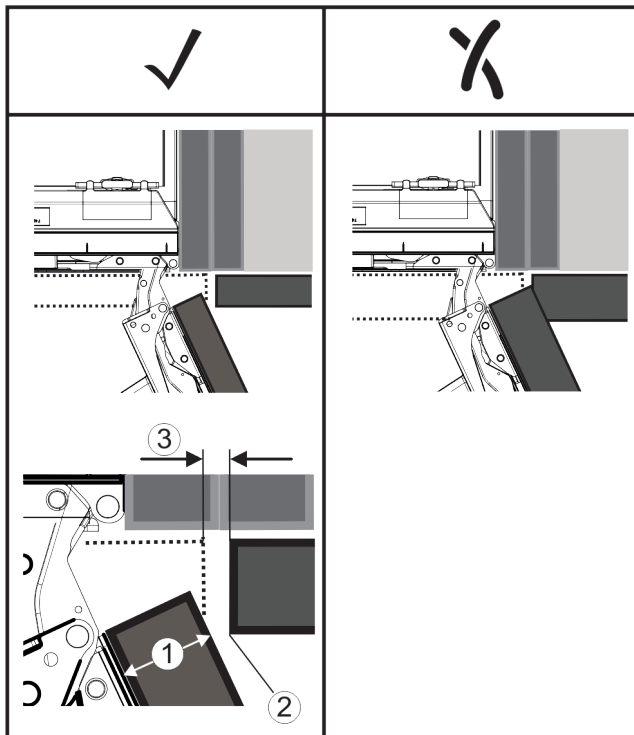


Fig. 5  
**(1)** Front thickness (FT)      **(3)** Gap dimension (G)  
**(2)** Edge radius (R)

FD(1) (mm)	R (2) = 0 mm		R = 1,2 mm		R = 2 mm		R = 3 mm	
	G <sub>min</sub>	G <sub>max</sub>	G <sub>min</sub>	G <sub>max</sub>	G <sub>min</sub>	G <sub>max</sub>	G <sub>min</sub>	G <sub>max</sub>
16	0,3	0,9	0,1	0,4	0,1	0,2	0,1	0,2
19	0,7	2,4	0,3	1,9	0,23	3,25	0,1	0,8
20	2	4,3	1,5	3,6	1	3,1	0,6	2,7
22	3,5	6,3	3	5,6	2,6	5,3	2,1	4,6
24	5,5	8,3	5	7,8	4,5	7,4	4	6,9
26	7,6	10,7	7	10,3	6,6	9,9	6,2	9,4

Fig. 6 Gap dimension limit range table

L<sub>min</sub> = lower limit range for the gap dimension in mm

L<sub>max</sub> = upper limit range for the gap dimension in mm

### Note

When correcting, always ensure that the unit front is adapted to the general appearance of the front.

### Check the collision properties and correct accordingly:

- ▶ Determine the front thickness and edge radius.
- ▶ Read the limit range for the gap dimension from the table Fig. 6 ().
- ▶ Compare the gap dimension to the values from the table.
- ▶ Perform one of the following actions according to the evaluated gap dimension.

Gap dimension	Description
$G > L_{max}$	If the gap dimension is greater than both limit values, you do not have to make any corrections.
$G < L_{min}$	If the gap dimension is below the limit values, you must increase the gap dimension. Increasing the edge radius is another option.
$L_{min} \leq G \leq L_{max}$	If the gap dimension is between both limit values, you must work precisely. Collisions may occur quickly in these situations.

## 6 Transporting appliance

### Note when transporting the appliance:

- ▶ Transport the appliance upright.
- ▶ Use two people to transport the appliance.

### During first use:

- ▶ Transport the appliance packaged.

### When transporting appliances after initial commissioning (e. g. moving or cleaning):

- ▶ Empty the appliance.
- ▶ Secure the door against unintentional opening.

## 7 Unpacking the appliance

### NOTICE

Risk of damage to the floor!

- ▶ Protect your floors by covering them before removing packaging from the appliance.

Before you connect the appliance, report any damage immediately to the delivery company.

- ▶ Check the appliance and the packaging for damage during transport. Contact the supplier immediately if you suspect any level of damage.
- ▶ Remove all materials from the back or the side walls of the appliance that may prevent proper installation or ventilation.
- ▶ Remove all protective films from the appliance. Do not use sharp or pointed objects for this.

## 8 Disposing of packaging



### WARNING

Danger of suffocation due to packing material and plastic film!

- ▶ Do not allow children to play with packing material.

The packaging is made of recyclable materials:

- corrugated board/cardboard
- expanded polystyrene parts
- polythene bags and sheets
- polypropylene straps
- nailed wooden frame with polyethylene panel\*
- ▶ Take the packaging material to an official collecting point.

# Recessed installation

## 9 Recessed installation

### 9.1 Tool

Make sure that the following tools are to hand:

- Torx® 20
- Slotted screwdriver
- Measuring tape
- Pencil
- Cord
- Spirit level

#### Lateral fastening

- Substructure under a hard worktop such as granite.
- The appliance is lower than the kitchen worktop when the adjustable feet are fully extended.
- Prerequisite: Unit side panel available for screwing.

#### Ceiling mounting

- Appliance sits slightly braced under worktop when adjustable feet are fully extended.
- No granite slab.

### 9.2 Preparing the appliance

#### Note

The door hinge can only be switched if there is sufficient space at the top to pull out the hinge mounting bracket and install it again on the opposite side. This is not usually the case after installation in the niche.

- ▶ Change the door hinge before fitting the appliance in the niche.

- ▶ Plug the mains cable's IEC socket completely into the appliance plug on the back of the appliance. Ensure that the IEC socket is tight.
- ▶ Use a cord to lay the mains plug to a freely accessible socket.

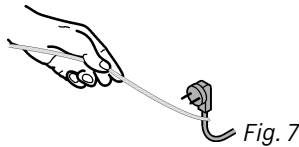


Fig. 7

#### NOTICE

Risk of harm to flooring susceptible to damage!

- ▶ Under each adjustable foot at the side, place a cardboard strip approx. 100 mm x 600 mm. Cut the strips out of the packaging. For recess heights of less than 826 mm, use strips of a firm but thin material.
- ▶ After pushing the appliance in, remove the strips again.

### 9.3 Ceiling mounting

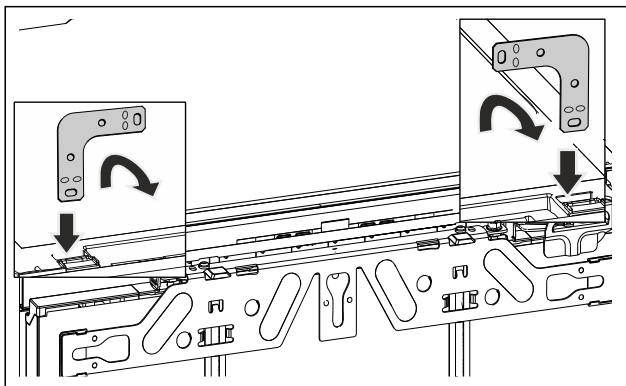


Fig. 8 Example illustration

- ▶ Insert the bracket into the opening in the unit ceiling and bend it forwards.



#### WARNING

Risk of fire due to short circuit!

- ▶ When you push the appliance into the niche: do not kink, jam or damage the mains cable.
- ▶ The appliance must not be operated with a defective mains cable.

- ▶ Slide the appliance into the recess and align, see point (see 9.5 Alignment of the appliance).

### 9.4 Lateral fastening:

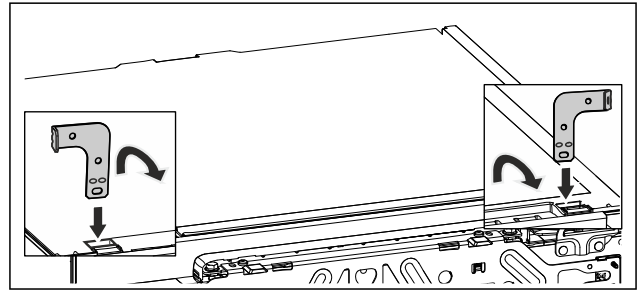


Fig. 9 Example illustration

- ▶ Bend one end of each bracket before installation. Insert the straight side into the opening in the appliance cover and bend it forwards.



#### WARNING

Risk of fire due to short circuit!

- ▶ When you push the appliance into the niche: do not kink, jam or damage the mains cable.
- ▶ The appliance must not be operated with a defective mains cable.

- ▶ Slide the appliance into the recess and align, see point (see 9.5 Alignment of the appliance).

### 9.5 Alignment of the appliance

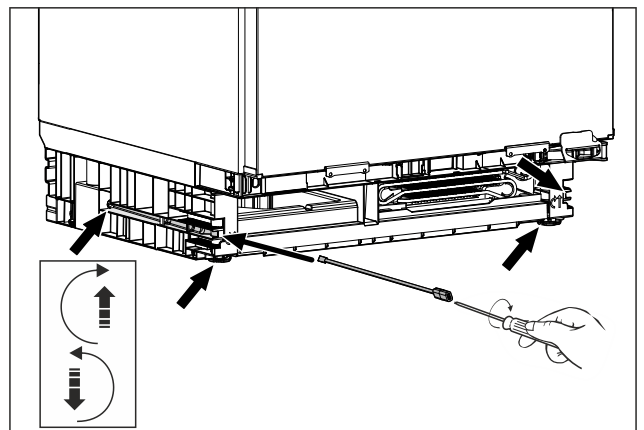


Fig. 10 Example illustration

- ▶ Unscrew the levelling feet to below the worktop.
- ▶ Align the appliance in an upright position using a spirit level.

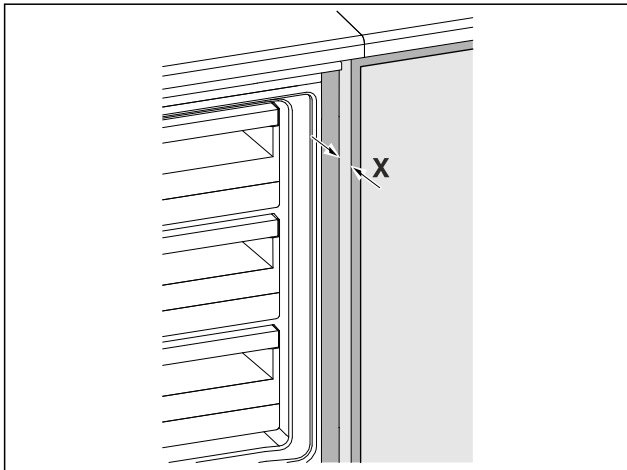


Fig. 11 Example illustration

- ▷ The distance from the front edge of the unit side panel to the appliance body on both sides is **X = 41.5 mm**.
- ▷ If there is no unit side panel, orientate on the worktop.
- ▷ **For units with door stop parts (knobs, sealing lips, etc.):**
  - ▶ Subtract the installation dimension (depth of the door stop parts) from the 41,5 mm insertion depth.
  - ▶ Unscrew the levelling feet alternately to the maximum. The maximum adjustment travel is 60 mm.
  - ▷ Appliance is aligned upright
  - ▷ The appliance is slightly braced in the recess between the floor and worktop.

## 9.6 Fitting the base

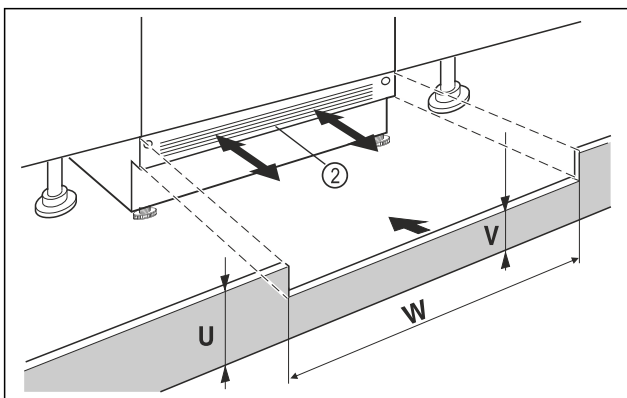


Fig. 12 Example illustration

- ▶ Put on the appliance base cover Fig. 12 (2) but do not fix it in place yet.
- ▶ Position the unit door and unit base panel for testing
- ▶ If the base panel is visible Fig. 12 (2), pull it forwards so that the front edge of the ventilation grille and the unit base panel are level.
- or-
- ▶ If the base panel is concealed Fig. 12 (2), push it all the way back.
- ▶ Ensure that the ventilation slots are completely free: If necessary, cut the height of the unit base panel Fig. 12 (U) to size!
- ▷ Adjust the web height Fig. 12 (V) under the appliance base panel Fig. 12 (2) along the niche width Fig. 12 (W).

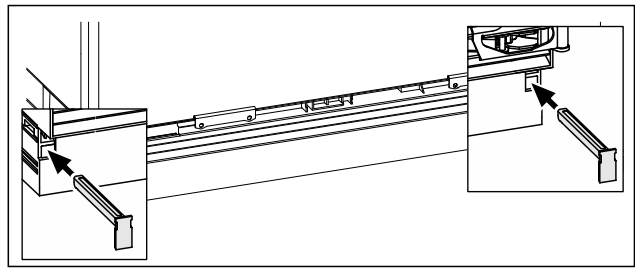


Fig. 13 Example illustration

- ▶ Fix the appliance base panel: Insert the latch while holding the appliance base panel.
- ▶ Fasten the unit base panel.

## 9.7 Screwing the appliance into the niche

### Ceiling mounting:

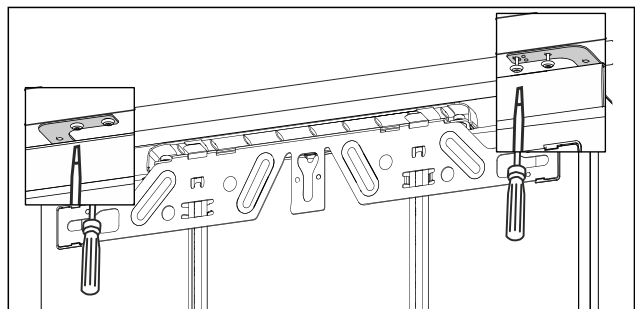


Fig. 14 Example illustration

- ▶ For mounting under the worktop, screw on the mounting brackets with two screws each underneath the worktop.

### Lateral fastening:

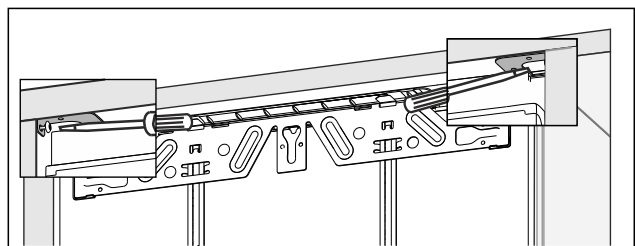


Fig. 15 Example illustration

- ▶ For side mounting, screw the mounting bracket into the niche with one screw on the right and one on the left.

## 10 Fitting the unit door

- ▶ Fit the handle to the unit door

### Note

- To ensure that the pull-out trolley is pulled out evenly:
- ▶ Always fit the unit door handle in the centre of the unit door.

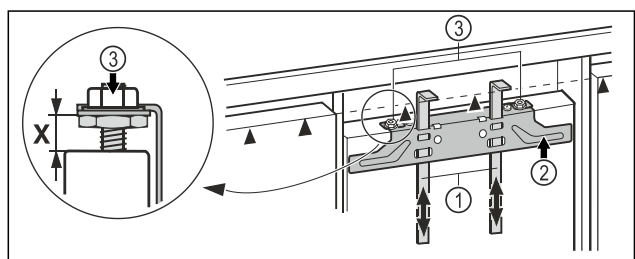
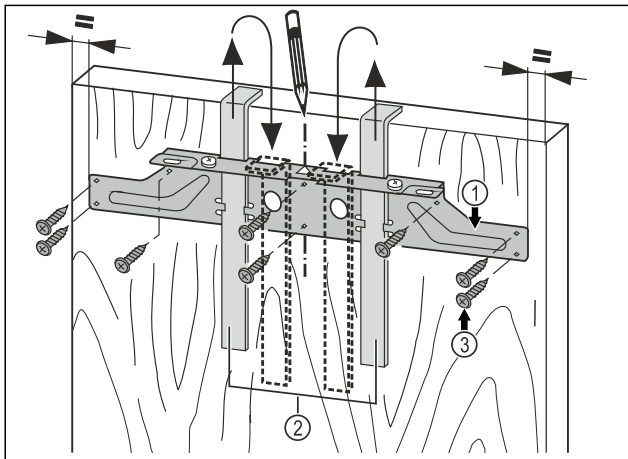


Fig. 16

## Fitting the unit door

- ▶ Check the default setting of **X = 8 mm**. (Distance between appliance door and lower edge of traverse)
- ▶ Push the assembly aids *Fig. 16 (1)* up to unit door height. Lower stop edge ▲ of the assembly aid = upper edge of the unit door to be assembled.
- ▶ Unscrew the fastening bar *Fig. 16 (2)* using the lock nuts *Fig. 16 (3)*.



*Fig. 17*

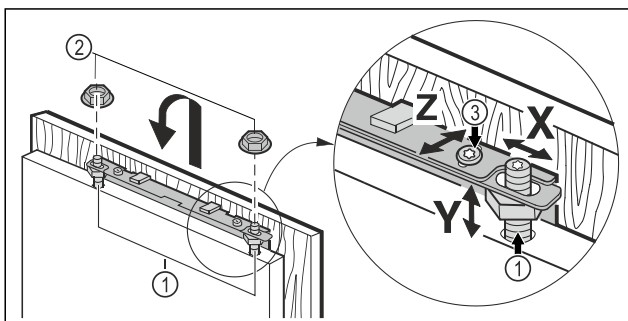
- ▶ Hang the fastening bar *Fig. 17 (1)* with the mounting aids on the inside of the unit door *Fig. 17 (2)*.
- ▶ Align the fastening bar *Fig. 17 (1)* in the centre of the door.
- ▷ The distances to the outer edge are the same on the left and right.

### For chipboard doors:

- ▶ Tighten the mounting bar *Fig. 17 (1)* with at least 6 screws *Fig. 17 (3)*.

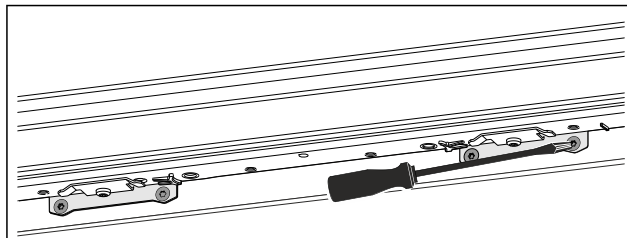
### For panelled doors:

- ▶ Screw the mounting bar *Fig. 17 (1)* to the edge with 4 screws *Fig. 17 (3)*.
- ▶ Pull the assembly devices *Fig. 17 (2)* upwards and push them, at an angle, into the receiving openings.



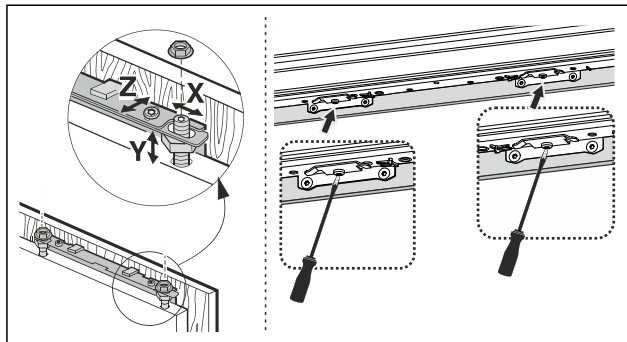
*Fig. 18*

- ▶ Hook the unit door onto the adjustment bolts *Fig. 18 (1)* and screw the lock nuts *Fig. 18 (2)* loosely onto the adjustment bolts.
- ▶ Close the door.
- ▶ Check the distance of the door against the surrounding unit doors.
- ▶ Align the unit door sideways: Move unit door in **X** direction.
- ▶ Align the unit door in height **Y** and in the lateral inclination: Adjust the adjustment bolt *Fig. 18 (1)* with a screwdriver.
- ▷ The unit door is aligned flush with the surrounding unit doors.
- ▶ Tighten the lock nuts *Fig. 18 (3)*.



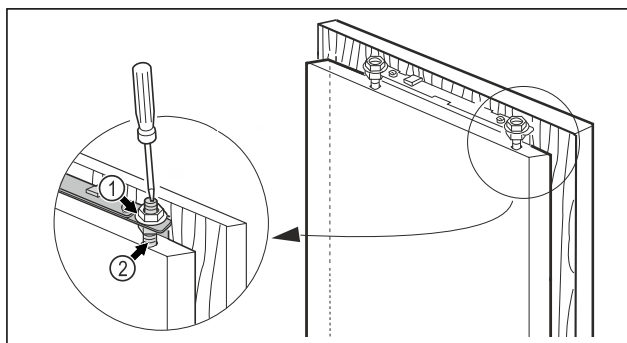
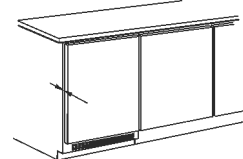
*Fig. 19*

- ▶ Screw the unit door to the appliance door.
- ▶ Pre-drill the fastening holes in the unit door (if necessary, pre-pierce with a graver).
- ▶ Screw the appliance door to the unit door using screws through the mounting brackets.



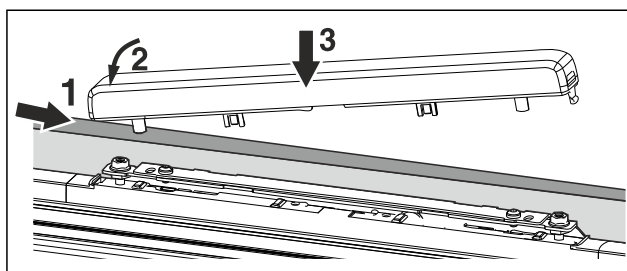
*Fig. 20*

- ▶ Align the unit door at depth **Z**: loosen the screws at the top and bottom of the door, then move the door.
- ▶ Do not allow any burrs or sealing lips to touch - this is important for correct function!
- ▶ Allow an air gap of 2 mm between the unit door and the cabiner carcass.



*Fig. 21*

- ▶ Check the fit of the door and readjust if necessary.
- ▶ Tighten all screws.
- ▶ Tighten the lock nuts *Fig. 21 (1)* with a hexagon spanner 13, stabilising the adjusting bolt *Fig. 21 (2)* with a screwdriver.



*Fig. 22*

- ▶ Position the upper cover and engage it.



## 11 Connecting device

---



### **WARNING**

Danger of fire due to incorrect connection!  
Burns.

Damage to the appliance.

- ▶ Do not use an extension cable.
  - ▶ Do not use distributor blocks.
- 

### **NOTICE**

Danger of damage to incorrect connection!  
Damage to the appliance.

- ▶ Do not connect the appliance to a stand-alone inverter, e.g. solar power systems and petrol generators.
- 

### **Note**

Only use the supplied mains cable.

- ▶ A longer mains cable can be ordered from Customer Service.
- 

Ensure that the following conditions are met:

- The type of current and voltage at the installation site match the information on the serial tag .
- The socket is earthed according to the regulations and fused.
- The fuse tripping current is between 10 and 16 A.
- The socket is easily accessible.
- ▶ Check the electrical connection.
- ▶ Connect the mains plug to the power supply.



[home.liebherr.com/fridge-manuals](https://home.liebherr.com/fridge-manuals)

**EN** base unit fridges and freezers, pull-out trolley

Issue date: 20240821

**Part number index: 7083760-00**

Liebherr-Hausgeräte GmbH  
Memminger Straße 77-79  
88416 Ochsenhausen  
Deutschland